

Instruction Manual for M67/M77 to Bayonet Mount Converter

PN#83213, #83215, #83250, #83251

FOREWORD

Thank you for your purchase of a NAUTICAM product.

At NAUTICAM, we pride ourselves in the ability to recognize the requirements of professional as well as amateur underwater photographers and fulfill them through the innovative designs of our products. We strive to achieve a high level of user-friendliness by allowing stress-free installation and easy operation of all important functions of the camera.

Please read this manual carefully before using the product, this will maximize its performance as well as its lifetime.

WARRANTY

All NAUTICAM Products are warranted against any material and manufacturing defects for two years from the date of purchase for consumer use. This warranty only applies to products purchased from authorized NAUTICAM dealers and does not extend beyond the original retail purchaser.

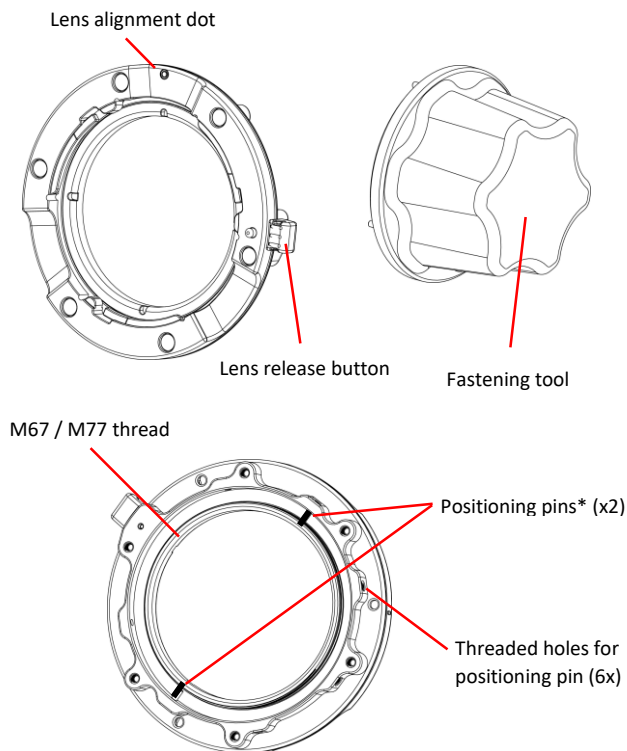
To return your product for service, please contact your regional authorized service center(s). Please note that this warranty only applies when the product is purchased in the territory where the service center is located.

NAUTICAM does not hold responsibility for damage, of any nature, to any equipment used with and/or placed within our products.

NAUTICAM accepts no liability for any loss of captured images or the inability to capture images even if it is due to the malfunctioning of our products.

Unauthorized modifications and/or repairs of our products will automatically invalidate the warranty.

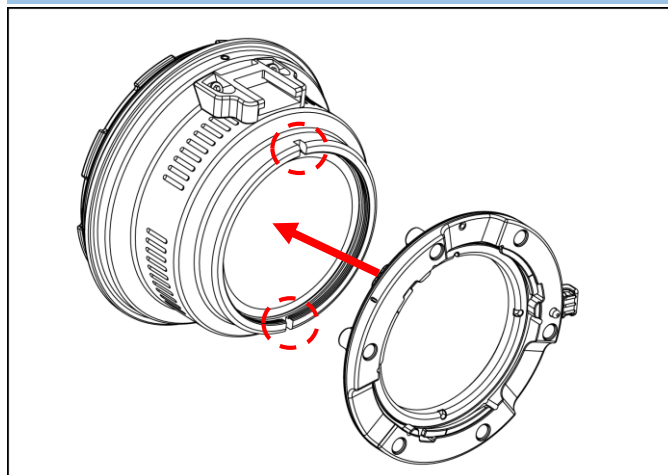
IDENTIFICATION OF PARTS



*There are two alignment pins at the bottom of the holder, by relocating the two screws to the threaded holes around the holder, the position of the holder can be changed.

#83213 M67 to Bayonet Mount Converter is used as an example in this instruction manual, other same kind of products will be slightly different in term of appearance.

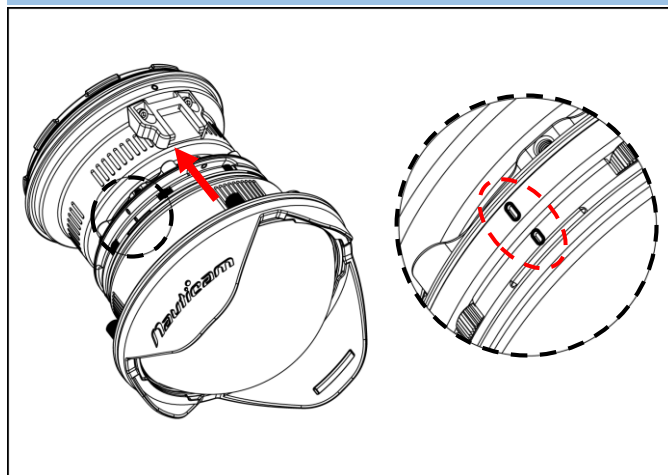
INSTALL TO THE PORT



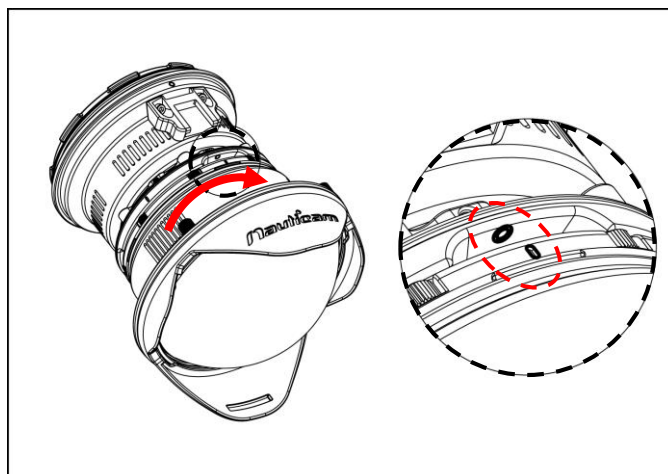
Align the two positioning pins on the back of the converter with the slots on the front of the port. Fasten the converter on the front of the port with the tool provided.

Note: The position of the converter can be adjusted by relocating the two positioning pins into the threaded holes around the converter.

MOUNTING LENS



Align the "I" mark on the lens with the "I" mark on the Converter and then push it in.

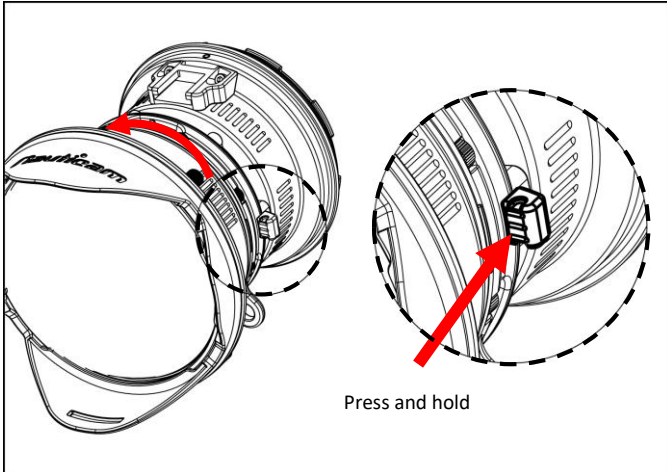


Turn the lens clockwise until the "I" mark on the lens aligns with the WHITE dot on the converter and a "click" sound is heard.

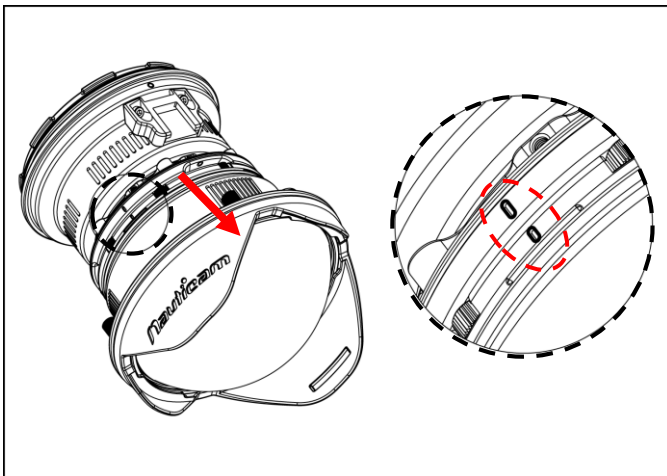
--- continue on next page ---

--- continued from front page ---

UN-MOUNTING LENS



Press and hold the RED lens release button and then turn the lens anti-clockwise.



Remove the lens when "I" mark on the lens aligns with the "I" mark on the converter.

SPECIFICATIONS

PN#	Description	Weight
83213	M67 to Bayonet Mount Converter	126.4g
83215	M77 to Bayonet Mount Converter	121.9g
83250	M67 to Bayonet Converter II	126.2g
83251	M77 to Bayonet Converter II	121.7g

COMPATIBILITY

Compatible Lenses:	83201 Wet Wide Lens 1 (WWL-1) 83203 Wet Wide Lens Compact (WWL-C) 83214 Bayonet Mount Adaptor for SMC/CMC
--------------------	---

**ATTENTION: #83213 & #83215 are not compatible with WWL-C*

Remark: Nauticam supports only e-manuals. Please download corresponding product manuals on Nauticam.com website, or contact us for e-manuals.

Current as of 2020/01/02